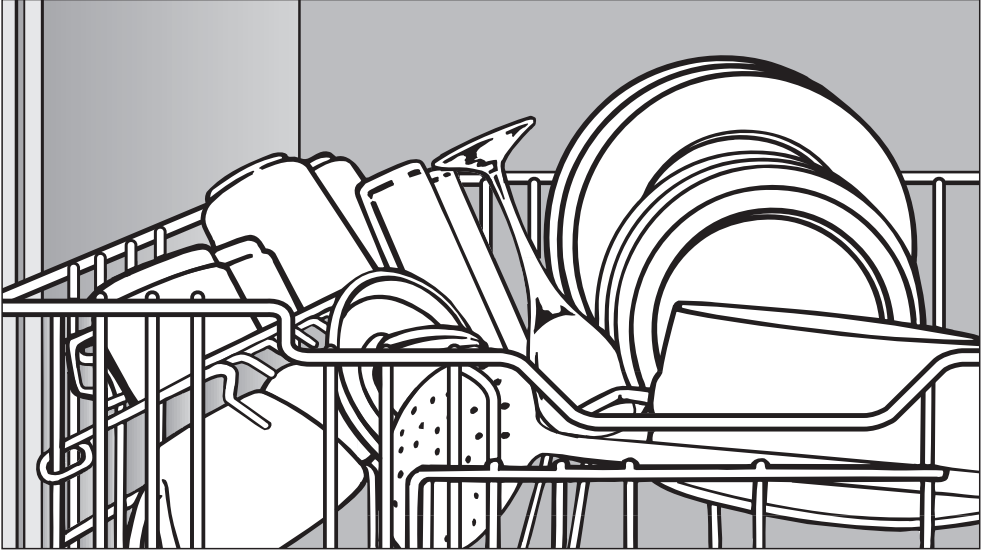


Miele

Operating instructions



for G 848 dishwasher

To prevent accidents and machine damage, read the Operating Instructions before installing or using the machine.

HG01



M.-Nr. 05 419 790

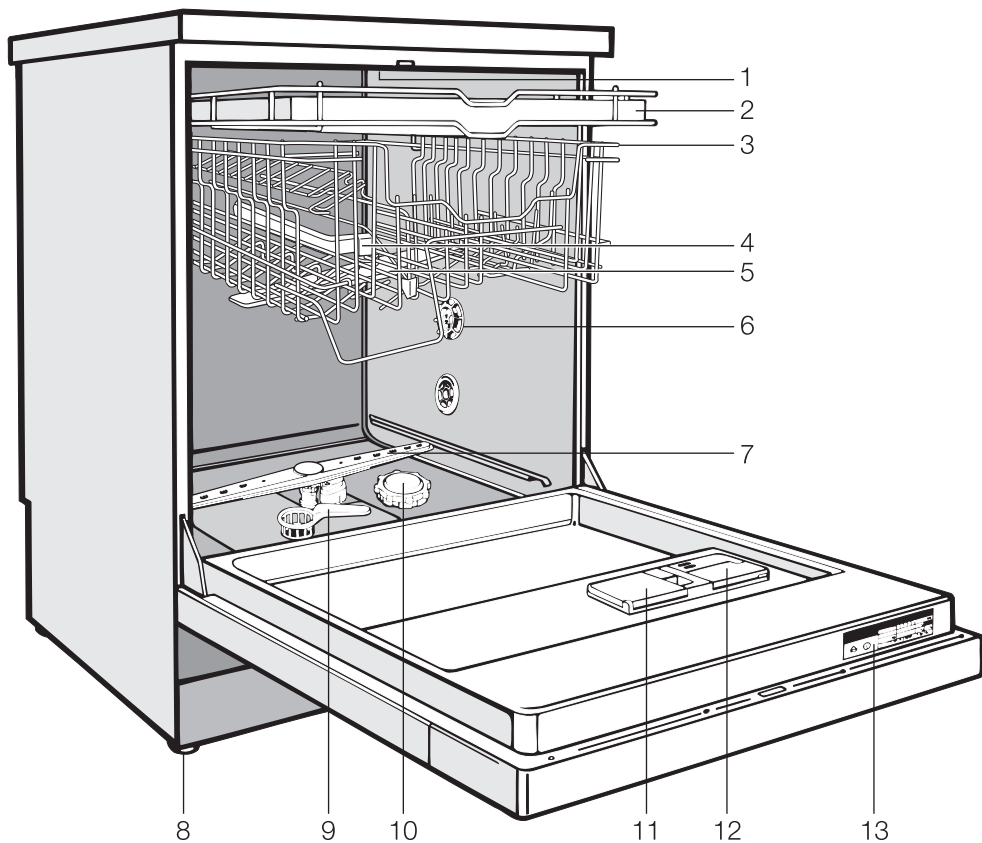
Contents

Guide to the appliance	4
View of the dishwasher	4
Control panel	5
IMPORTANT SAFETY INSTRUCTIONS	6
INSTRUCTIONS IMPORTANTES SUR LA SÉCURITÉ	8
Caring for the environment	10
Disposal of the packing material	10
Disposal of an old appliance	10
Energy saving washing	10
Before using for the first time	11
To open the door	12
To close the door	12
Child Safety Lock	12
Water softener	13
Programming and setting the water hardness level	14
Programming and changing the water hardness level	14
Setting the water hardness level selector in the wash cabinet	15
Checking the programmed water hardness	16
Before using for the first time	17
Filling the salt reservoir	17
Salt indicator	18
Rinse aid	19
Adding rinse aid	19
Rinse aid indicator	20
Setting the dosage	21
Loading the dishwasher	22
Loading examples	23
Upper basket	23
Adjustable cup rack	23
Coffee bar	23
Adjusting the upper basket	24
Lower basket	25
Bottle holder	26
Cutlery	26
Items not suitable for dishwashers	29

Operating the dishwasher	30
Adding detergent	30
Program selection	31
Turning on the dishwasher	32
Starting a program	32
Program sequence indicators	32
At the end of a program	33
Turning off the dishwasher	33
Interrupting a program	34
Changing a program	34
Unloading the dishwasher	35
Cleaning and care	36
Cleaning the filters in the wash cabinet	36
Cleaning the spray arms	38
Cleaning the wash cabinet	39
Cleaning the door and the door seal	39
Cleaning the control panel	39
Cleaning the door panel	39
Problem solving	40
Solving problems	47
Cleaning the water intake filter	47
Checking the water level	48
Increasing the water intake time	49
Cleaning the drain pump and non-return valve	50
After sales service	52
Special accessories	53
Transport	54
Technical data	55
Program chart	56

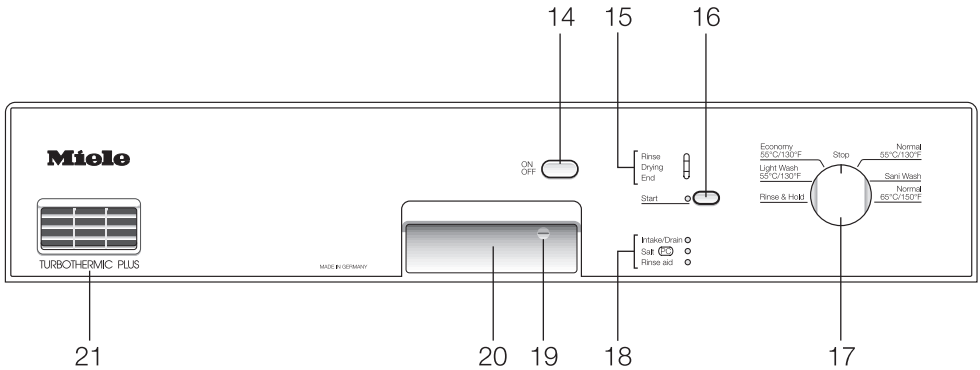
Guide to the appliance

View of the dishwasher



- | | |
|----------------------------------|---|
| 1 Upper spray arm (not visible) | 8 Four height adjustable feet |
| 2 Cutlery tray (select models) | 9 Filter combination |
| 3 Upper basket | 10 Salt reservoir |
| 4 Waterfeed for middle spray arm | 11 Dual compartment detergent dispenser |
| 5 Middle spray arm | 12 Rinse aid reservoir (with dose selector) |
| 6 Water hardness selector | 13 Data plate |
| 7 lower spray arm | |

Control panel



14 “On/Off” button

15 Program sequence display

16 “Start” button

17 Program selector

18 Check/Refill indicators

19 Child safety lock

20 Door release

21 Vent for drying fan

IMPORTANT SAFETY INSTRUCTIONS

WARNING

Please follow all basic safety precautions when operating this dishwasher.

This appliance conforms with all uniform safety codes and regulations. To avoid injury and machine damage, read the operating instructions carefully.

The manufacturer cannot be held responsible for damage or injury caused by improper use or for uses other than those for which the appliance is intended.

- Repairs should only be performed by a qualified and competent person. Disconnect the appliance from the power supply before servicing (pull out the plug or “trip” the circuit breaker).
- This dishwasher should only be installed under a continuous countertop secured to adjacent cabinetry.
- The dishwasher must be electrically grounded. Install the dishwasher as outlined in the included Installation instructions.
- Only use detergents and rinse aids recommended for residential dishwashers.
- Do not use the dishwasher unless all panels are in place.
- Do not allow children to play in or on the dishwasher.
- Keep all detergents and rinse aids out of the reach of children.
- Dishwasher detergents contain Sodium Silicate and Sodium Carbonate. In case of eye contact, immediately flush with water. Call a physician or poison control.
- Do not tamper with the controls.
- Do not drink water from the dishwasher.

IMPORTANT SAFETY INSTRUCTIONS

- When loading dishes and cutlery:
 - Place sharp items away from the door seal to prevent damaging the seal.
 - Load knives pointing down to prevent injuries.
- Do not wash plastic items unless they are labeled “dishwasher safe”. For items not labeled, check the manufacturer’s recommendations.
- Do not abuse, sit, or stand on the door or baskets of the dishwasher.
- When disposing of a dishwasher, unplug it from the outlet, remove the front door and cut off the power cord. This will help protect children from injury and accidentally locking themselves in.
- Under certain conditions, hydrogen gas may be produced in a hot water system that has not been used for two weeks or more. **HYDROGEN GAS IS EXPLOSIVE.** If the hot water system has not been used for such a period, turn on all hot water faucets and let the water flow from each for several minutes before using the dishwasher. This will release any accumulated hydrogen gas. Do not smoke or use an open flame during this time.

SAVE THESE INSTRUCTIONS

AVERTISSEMENT

Au moment d'utiliser votre lave-vaisselle, veuillez observer toutes les mesures de sécurité de base.

Cet appareil électroménager est conforme à tous les règlements et codes sur la sécurité. Pour éviter de vous blesser et d'endommager l'appareil, veuillez lire soigneusement les instructions sur l'utilisation.

Le fabricant ne peut être tenu responsable des dommages ou blessures causés par une utilisation inadéquate ou par des utilisations autres que celles auxquelles l'appareil est destiné.

■ Les réparations doivent être effectuées uniquement par une personne compétente. Débrancher l'appareil de la prise de courant avant d'en faire l'entretien (enlever la fiche de la prise ou fermer le disjoncteur).

■ Installer uniquement ce lave-vaisselle sous un comptoir continu qui est fixé à des meubles adjacents.

■ Vous devez mettre le lave-vaisselle à la terre. Installer le lave-vaisselle en observant les instructions pour l'installation ci-jointes.

■ Utiliser uniquement des détergers et des produits de rinçage recommandés pour les lave-vaisselle domestiques.

■ Ne pas utiliser le lave-vaisselle à moins que tous les panneaux soient bien en place.

■ Ne pas permettre aux enfants de jouer dans ou sur le lave-vaisselle.

■ Ranger tous les détergers et produits de rinçage hors de la portée des enfants.

■ Les détergers pour lave-vaisselle contiennent du silicate de soude et du carbonate de soude. En cas de contact avec les yeux, les rincer immédiatement à grande eau. Téléphoner à un médecin ou à un centre de traitement antipoison.

■ Ne pas modifier les commandes.

■ Ne pas boire l'eau du meuble de lavage.

INSTRUCTIONS IMPORTANTES SUR LA SÉCURITÉ

■ Au moment de remplir le lave-vaisselle :

- Mettre les articles pointus de manière à ce qu'ils n'endommagent pas le seau étanche de la porte.
- Mettre le tranchant des couteaux vers le bas afin d'éviter les risques de blessure.

■ Ne pas laver les articles en plastique à moins qu'ils n'indiquent "Va au lave-vaisselle". Vérifier les recommandations du fabricant pour les articles non étiquetés.

■ Ne pas abuser et ne pas vous asseoir ni vous tenir sur la porte ou sur les paniers du lave-vaisselle.

■ Enlever la porte et couper le cordon du lave-vaisselle avant de l'enlever aux déchets afin d'empêcher les enfants de se blesser ou de s'enfermer dans l'appareil par accident.

■ Dans certaines conditions, un système d'eau chaude qui n'a pas été utilisé pendant plus de deux semaines, peut dégager de l'azote. L'AZOTE EST EXPLOSIF. Si le système d'eau chaude n'a pas été utilisé pendant une telle période de temps, ouvrir tous les robinets d'eau chaude et laisser l'eau couler pendant plusieurs minutes avant d'utiliser le lave-vaisselle. Ceci dissipera tout l'azote accumulé. Ne pas fumer ni utiliser une flamme nue durant ce temps.

CONSERVER CES INSTRUCTIONS.

Caring for the environment

Disposal of the packing material

The cardboard box and packing material protects the appliance during shipping. These materials are biodegradable and recyclable, please recycle.

Disposal of an old appliance

Before disposing of an old appliance, please make safe as outlined in the “Important Safety Instructions” by removing power cords and doors.

Energy saving washing

This dishwasher is exceptionally economical in the use of water and electricity. For best results follow these tips:

The dishwasher can internally heat water to the temperatures required by the wash program. This capability allows the option of connecting the machine to either a hot or cold water source.

- For lowest energy consumption and the gentlest washing of china and crystal, connect the dishwasher to a cold water source.
- For fastest possible wash times, yet higher energy consumption, connect the dishwasher to a hot water source.
- For most economical dishwashing make full use of the baskets without overloading the dishwasher.
- Choose the program to suit the type of dishware being washed and the degree of soiling.
- Select the Economy 55° C/130° F program for energy saving dishwashing.
- Use the correct amounts of detergent.
- Only use 2/3 of the amount of detergent if baskets are only half full.

Before using for the first time

Before using for the first time, please note the following.

Setting the water softener

The water softener must be set to correspond to the water hardness in your area. The water hardness can be determined by calling your local water company, or by using a test kit that can be purchased from the Miele Technical service Department.

The salt reservoir must only be filled with water and salt. Never fill it with detergent.

Adding rinse aid

Accidentally filling the rinse aid reservoir with detergent will damage the reservoir.

Only use detergents and rinse aids formulated for domestic dishwashers.

Choose the correct program

Wash programs should be selected depending on load size and degree of soiling. See the Program Chart for program descriptions.

Add correct detergent amount

Generally, 1 ½ tablespoons (25 ml) of detergent is enough for most normally soiled loads. Not enough or too much detergent can lead to poor wash results. See “Adding detergent”.

Cleaning results vary among detergent brands. If you are not satisfied with the wash results, try another brand of detergent.

Load dishes correctly

Load dishes so that water can reach all surfaces. Check that the spray arms are not blocked by tall or large items. If necessary, manually rotate the spray arms to check clearance.

The combination filter in the base of the wash cabinet and the spray arms must be kept clean.

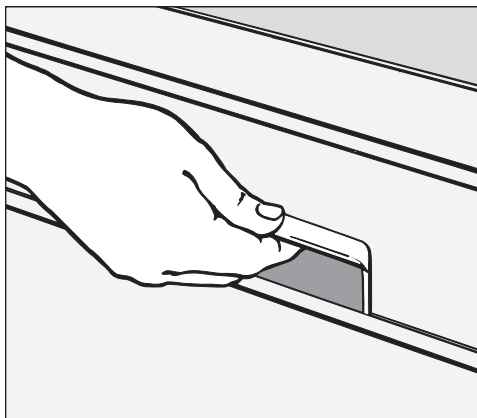
These should be regularly inspected and cleaned.

See the “Cleaning and care” section for more detailed information.

Every dishwasher is tested before leaving the factory. Any water remaining in the machine is from these tests and does not indicate that the machine has been used.

Before using for the first time

To open the door



- Press the release catch inside the door grip.

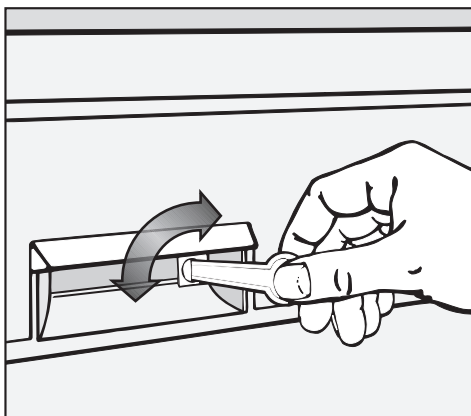
If the door is opened during operation, all functions will be interrupted.

To close the door

- Push the baskets in.
- Lift the door and push until it clicks into position.

Child Safety Lock

The yellow key for the Child Safety Lock is shipped on one of the spikes at the front of the upper basket. Remove the key before using the dishwasher.



The Child Safety Lock is designed to prevent children from opening the dishwasher.

- Use the provided key to lock or unlock the Child Safety Lock.



Horizontal =
the door is locked



Vertical =
the door can be opened

Before using for the first time

Water softener

To achieve good cleaning results, the dishwasher needs soft water. Hard water results in the build up of calcium deposits on dishes and in the dishwasher. If your tap water hardness is above 8 gr/gal (140 ppm), the water should be softened. This takes place automatically in the integrated water softener.

- The water softener must be filled with dishwasher salt for reactivation.
- The dishwasher must be programmed to correspond to the water hardness in your area.
- Your local water authority will be able to advise you of the water hardness level in your area.

If your tap water hardness is consistently lower than 8 gr/gal (= 140 ppm) do not add dishwasher salt. However, the dishwasher must still be programmed to correspond to the water hardness level in your area.

Where the water hardness fluctuates (e. g. 9 - 17 gr/gal) always program the machine to the higher value (in this example 17 gr/gal).

If there is a fault, it will help the service technician to know the hardness of your tap water.

- Enter the water hardness below:

_____ gr/gal (ppm)

Before using for the first time

Programming and setting the water hardness level

Your water hardness level must be programmed into the machine using the buttons on the control panel. The water hardness level selector in the wash cabinet is then also set to the water hardness level in your area.

Programming and changing the water hardness level

- Turn off the dishwasher with the “On/Off” button.
- Turn the program selector to “Stop”.
- Hold the “Start” button in and at the same time turn the dishwasher on with the “On/Off” button. Release the “Start” button within 2 seconds.

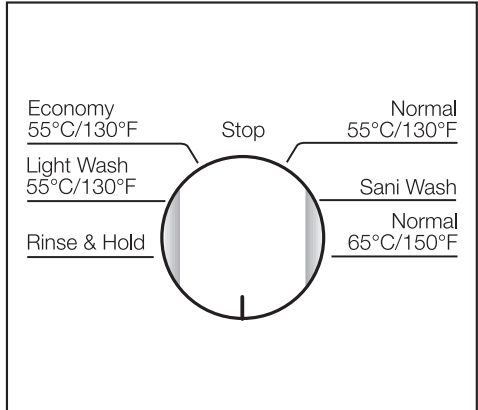
The “Salt” indicator flashes.

Note:

If any other indicator lights flash or light the process must be repeated.

Except:

If the “Rinse aid” indicator flashes or lights then rinse aid was never added or needs to be refilled.



- Turn the program selector to your corresponding water hardness level (see table below).

gr/gal	ppm	Selector Settings
1 - 4	20 - 70	Normal 55 °C/130 °F
5 - 7	90 - 130	Sani Wash
8 - 10	140 - 180	Normal 65 °C/150 °F
11 - 14	200 - 250	“4 o’clock” position
15 - 17	270 - 310	“5 o’clock” position
18 - 21	320 - 380	“6 o’clock” position
22 - 35	400 - 630	“7 o’clock” position
36 - 70	650 - 1260	“8 o’clock” position

The water hardness selector is preset to 1 - 4 gr/gal (20 – 70 ppm).

Example:

For a water hardness level of 20 gr/gal. Turn the program selector to the “6 o’clock” position.

Before using for the first time

- Press the “Start” button.
The “Start” indicator lights.
- Turn the program selector to “Stop”.
- Turn off the dishwasher with the “On/Off” button.

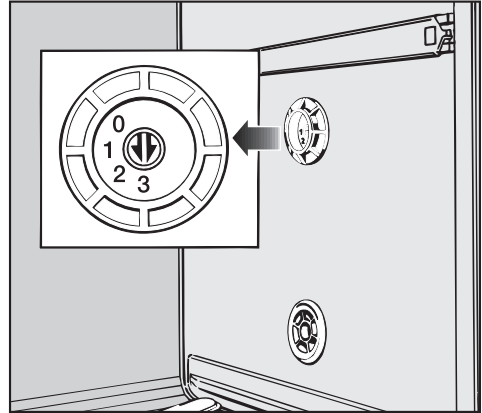
The water hardness level is now stored in the program memory.

Setting the water hardness level selector in the wash cabinet

The water hardness level selector in the wash cabinet must be set according to the following table.

Selecting the correct setting will help minimize the effects of dishwashing on glass surfaces. Too high a setting will lead to poor cleaning results and an increase in water spots left on dishes and cutlery.

- Use a screwdriver to take the cover off the water hardness level selector in the wash cabinet.



- Use a coin or screwdriver to adjust the water hardness level selector in the wash cabinet. There is a click as each setting is reached.

gr/gal	ppm	Selector Setting
1- 7	20 - 130	3
8-10	140 - 180	2
11-14	200 - 250	1
15-70	270 - 1260	0

The selector setting is preset to “3”.

Example:

The water hardness level is 8 gr/gal.
The selector setting is 2 (8 - 10 gr/gal).

- Replace the cover on the water hardness level selector.

Before using for the first time

Checking the programmed water hardness

- Turn off the dishwasher with the “On/Off” button.
- Turn the program selector to “Stop”.
- Hold the “Start” button in and at the same time turn the dishwasher on with the “On/Off” button. Within 2 seconds release the “Start” button.

The “Salt” indicator flashes.

Note:

If any other indicators light or flash the process must be repeated.

Except:

If the “Rinse aid” indicator lights rinse aid was never added or needs to be re-filled.

- Turn the program selector slowly past “Normal 55 °C/130 °F” to the “8 o’clock” position.

The “Start” indicator will light when the programmed water hardness setting is reached. The water hardness level corresponds to the position of the program selector (see the table “Programming and setting the water hardness level”).

- Turn the program selector to “Stop”.
- Turn off the dishwasher with the “On/Off” button.

Before using for the first time

Filling the salt reservoir

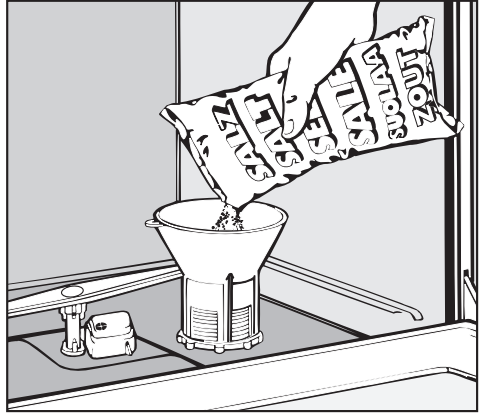
If your water hardness level is greater than 8 gr/gal, the salt reservoir should be filled before the first use and when the “Salt” indicator lights. Only use water softener reactivation salt (1 - 4 mm grain size); other salts may contain insoluble additives which can impair the water softener.

The salt reservoir holds approximately 4 lbs (2 kg) of salt.

Inadvertently filling the salt reservoir with dishwashing detergent will damage the water softener. Make sure that only water softener reactivation salt of the proper grain size is used.

To fill the salt reservoir:

- Remove the lower basket.
- Unscrew and remove the salt reservoir cap.



Before adding salt for the first time, fill the reservoir with approximately 2 quarts (2 l) of water.

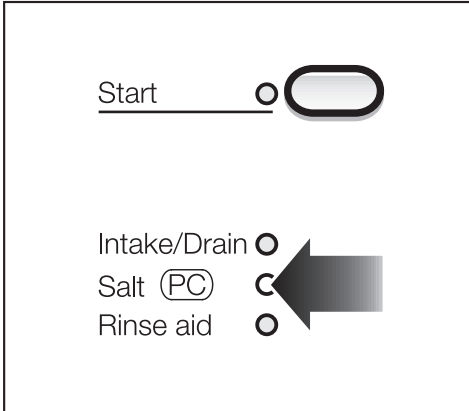
- Place the provided funnel over the salt reservoir.
- Carefully fill with salt, grain size of 1 - 4 mm. The salt reservoir holds approximately 4 lbs (2 kg) of salt depending of the brand used. As it is filled, water will run out.
- Clean any excess salt from the threads of the reservoir opening.
- Screw the cap on firmly.

If the dishwasher will not be used immediately after reactivation, run the “Rinse & Hold” program. This will remove any traces of salt from inside the wash cabinet.

Before using for the first time

Salt indicator

When the salt reservoir is empty, the “Salt-PC” indicator will light, indicating that it should be refilled with reactivation salt.



After the reservoir has been filled, the water softener is automatically reactivated the next time the dishwasher is started. The “Softener” indicator will light during this process.

Note:

If your water is soft (below 8 gr/gal) the salt reservoir should not be filled with salt. The indicator will remain lit and should be disregarded or deactivated.

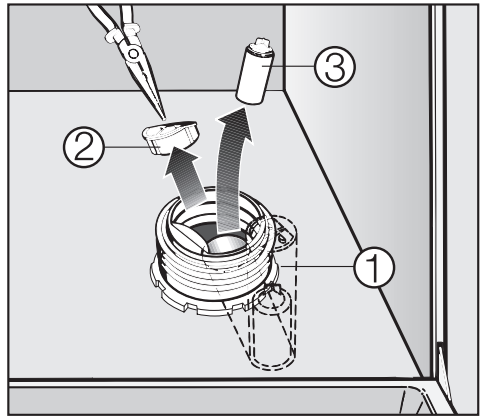
The “Salt-PC” indicator has also been designed so that future program updates can be entered into the dishwasher. See the “After Sales Service”.

Bypassing the Salt indicator

To bypass the salt indicator, you will need a screwdriver and needle nose pliers.

- Remove the salt reservoir cap.

Looking into the salt reservoir, you will see the top of the float chamber on the right hand side ①.



- Using a screwdriver, carefully pivot the float chamber towards the center of the reservoir.
- Using needle nose pliers, pull off the cap ② from the float chamber and remove the float ③.
- Replace the float chamber cap, push the chamber back into its upright position, and replace the salt reservoir cap. The indicator should now remain off.

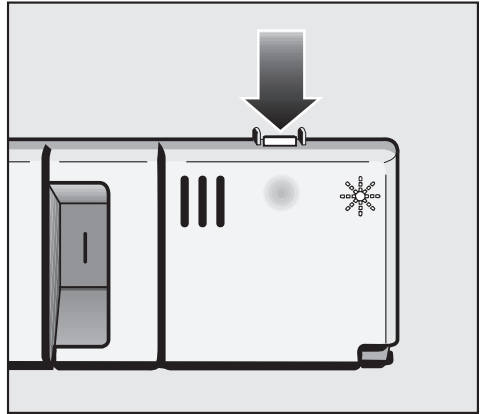
Before using for the first time

Rinse aid

Rinse aid is recommended to prevent spotting on dishes and glassware that normally occurs during the drying cycle.

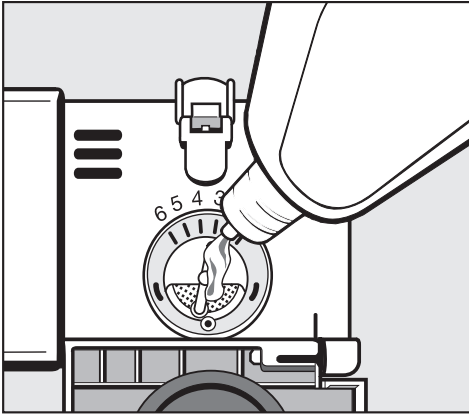
Filling the rinse aid reservoir with detergent will damage the reservoir. Only pour rinse aid formulated for residential dishwashers into the reservoir.

Adding rinse aid



- Add rinse aid before the first use and when ever the “Rinse aid” indicator lights.
- Press the button in the direction of the arrow until the flap springs open.

Before using for the first time



- Pour liquid rinse aid into the reservoir until it is visible on the surface of the screen. Do not refill until the “Rinse aid” indicator lights.

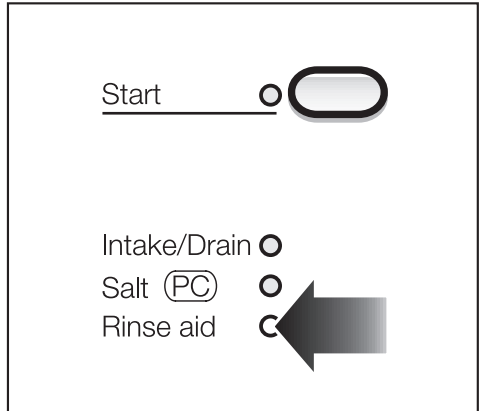
Only use rinse aid labeled for residential dishwashers. Inadvertently adding detergent to the rinse aid dispenser will damage the dispenser.

- Press on the flap until you hear it click shut. Failure to close it all the way will allow water to enter the reservoir during the wash program.
- Wipe up any spilled rinse aid.

The flap will remain closed during normal operation.

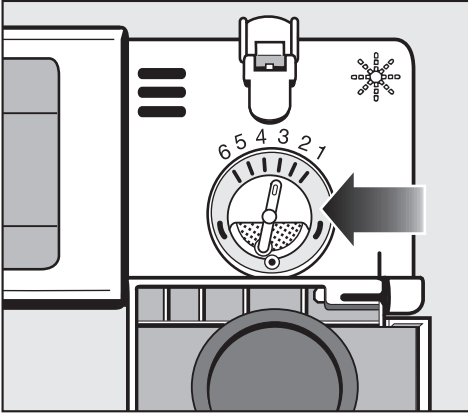
Rinse aid indicator

The rinse aid indicator on the control panel will light when the rinse aid reservoir needs refilling.



There will be enough rinse aid left for 2 - 3 washes after it first lights.

Setting the dosage



The dosage selector is preset to 3. This dispenses approximately 3 ml of rinse aid per program. It can be adjusted from 1 to 6, depending on your needs.

- Use a higher setting if spots appear on dry glassware.
- Use a lower setting if streaking appears on dishes or glasses.

Loading the dishwasher

Do not wash items soiled with ash, wax, grease or paint in the dishwasher.

Ash does not dissolve and will be distributed through out the inside of the dishwasher. Wax, grease and paint will cause permanent discoloration or damage to the dishwasher.

- Scrape food from dishes before placing in the dishwasher but, do not rinse dishes.
- Load dishes so that water can reach all surfaces.
- Do not place dishes and cutlery inside other pieces where they may be hidden.
- Hollow items such as cups and glasses should be inverted and placed in the upper basket.
- Concave based items should be placed at an angle on top of the coffee bar, so that water does not pool.
- To ensure good water coverage tall, narrow, hollow pieces should be placed in the center of the basket, rather than in the corners.

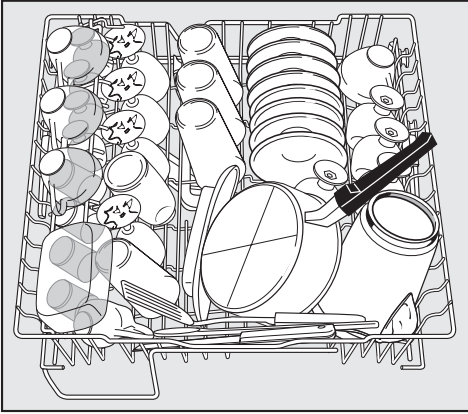
- Small cups and glasses should be placed on the cup racks. Taller mugs and glasses can be placed underneath the rack.
- The spray arms must not be blocked by items that are too tall or hang through the baskets. Check clearance by manually rotating the spray arms.

Some food may contain natural dyes that can discolor plastics in the dishwasher (e.g. carrots, tomatoes, ketchup, etc.). The stability of plastic items are not affected by this discoloration.

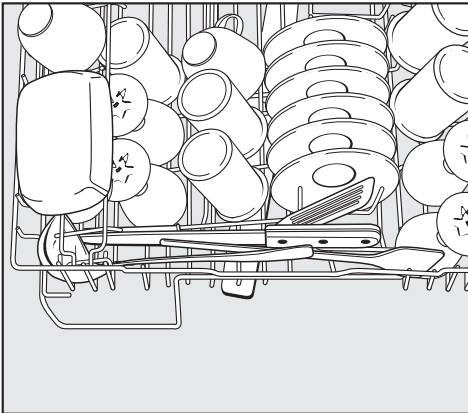
Loading the dishwasher

Loading examples

Upper basket

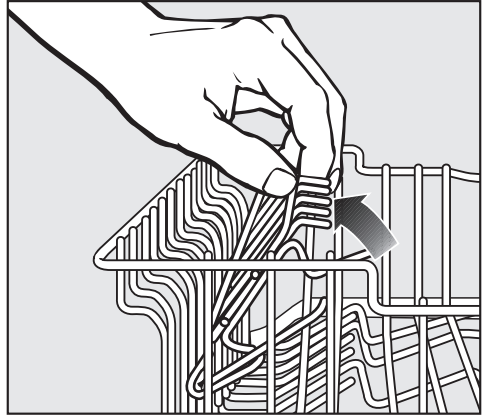


For small, lightweight, delicate items such as cups, saucers, glasses, and dessert bowls. Flat saucepans or casserole dishes can also be placed in the upper basket.



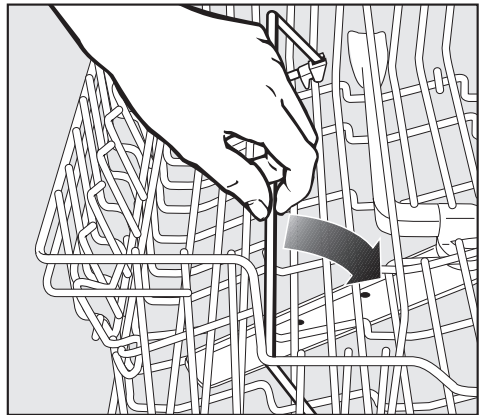
Long items such as soup ladles, mixing spoons and long knives should be placed lying down across the front of the upper basket.

Adjustable cup rack



To make room for tall items raise the rack or lower it to double stack small pieces.

Coffee bar (select models)



The coffee bar can be flipped over to the middle of the basket for easy sorting and unloading.

Loading the dishwasher

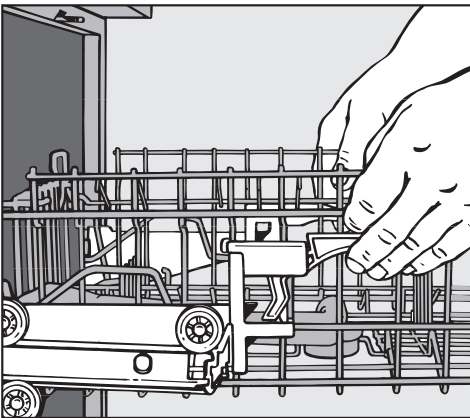
Adjusting the upper basket

(select models)

The upper basket height is adjustable. If tall items are being washed, more room can be created by raising or lowering the upper basket.

Do not set the angle to the extreme; one side at the highest setting and one side at the lowest. This will block the middle spray arm.

- Slide the upper basket out.



- Pull up the levers at the sides of the upper basket and adjust the basket height.
- Release the levers and the basket will lock in place.

Depending on the setting of the upper basket, the following dish dimensions can be accommodated:

Dishwashers with a cutlery tray

Upper basket position	Plate diameter	
	Upper basket	Lower basket
Top	7 3/4" 20 cm	11 3/4" 30 cm
Middle	8 1/2" 22 cm	11" 28 cm
Bottom	9 3/8" 24 cm	10 1/4" 26 cm

Models with cutlery basket

Without Upper basket adjustment

Plate diameter in upper basket:
11"/28 cm

Plate diameter in lower basket:
11"/28 cm

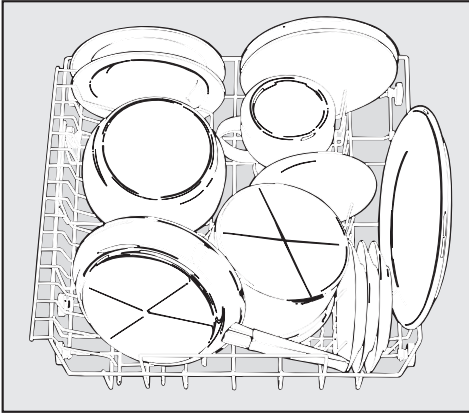
Loading the dishwasher

Lower basket

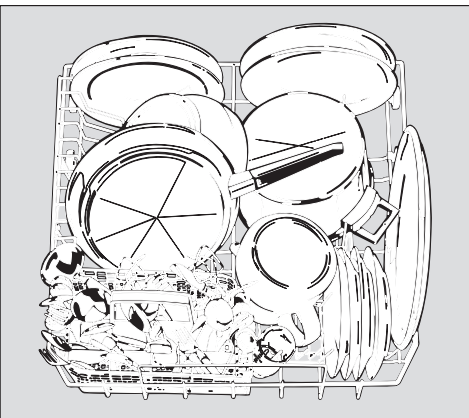
For larger and heavier items such as plates, serving platters, saucepans, or bowls.

Small items such as saucers can also be placed in the lower basket.

Do not place glassware in the lower basket unless a special glassware insert is installed.

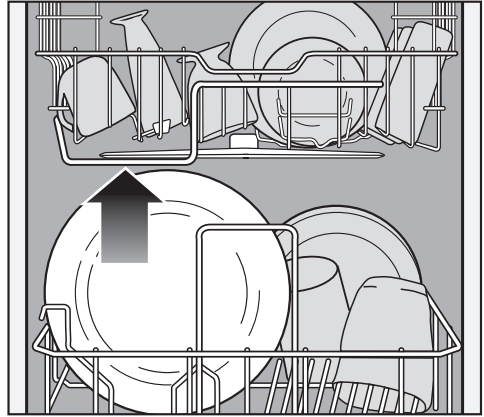


Dishwasher with a cutlery tray



Dishwasher with a cutlery basket

Maximum height

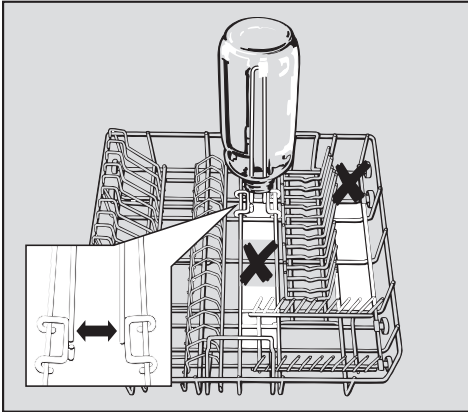


The guide at the front of the upper basket (arrow) shows the maximum height of items that can be placed in the lower basket. Items taller than this will block the middle spray arm.

Loading the dishwasher

Bottle holder

(select models)



The bottle holder can be placed in any area marked in white in the illustration below. Do not place it in the areas marked with an X, these areas will not receive adequate water coverage.

Cutlery

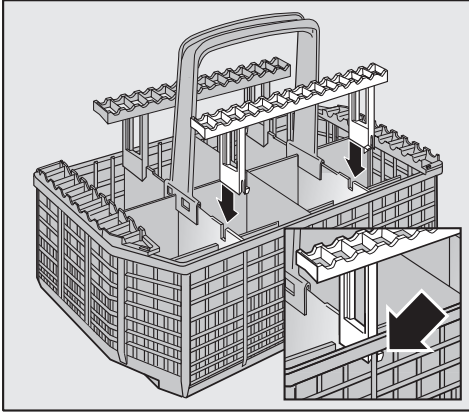
(select models)



- For the best cleaning results, knives and forks should be placed in the basket with handles down. Knives and other pointed objects can be loaded with their handles up to prevent injuries.
- Place small spoons into the slots on either side of the cutlery basket.

Spoon racks

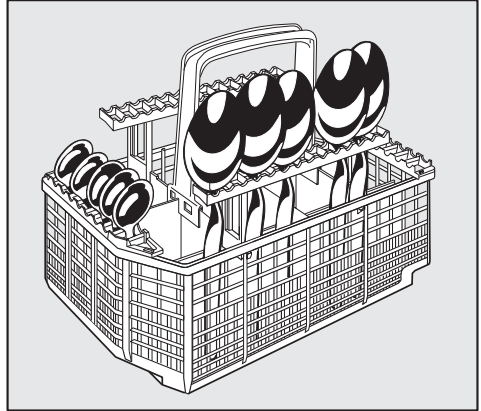
For the best cleaning of heavily soiled spoons, use the supplied spoon racks to raise them above the other cutlery for better water coverage.



- A spoon rack can be clipped onto the front or back of the cutlery basket.

To remove the racks:

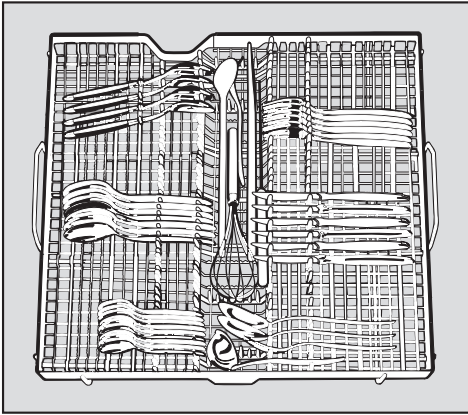
- Press in the locking tabs (use a spoon handle if necessary) and pull the racks up and out of the basket.



- Insert spoons into every other slot with the handles pointed down.

Loading the dishwasher

Dishwashers with a cutlery tray (SC)



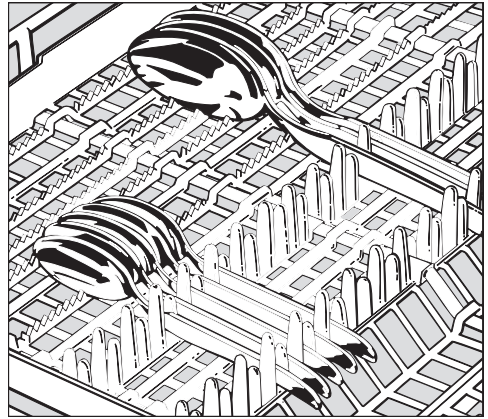
To make unloading easier, cutlery can be grouped in zones, one for knives, one for forks, etc.

Place the blades of knives and the tines of forks between the holders. Spoons should be placed in the opposite direction with handles between the holders.

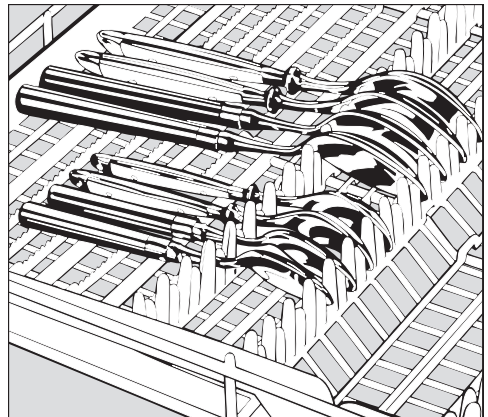
Longer items such as soup ladles, spatulas, mixing spoons and long knives should be placed lengthwise in the indentation in the middle of the cutlery tray.

The upper spray arm must not be blocked by large items.

The cutlery tray insert is removable.



Spoon heads should be placed so that water can run off freely.



If the spoon handles do not fit between the holders then position them like the forks and knives.

Items not suitable for dishwashers:

- Cutlery with wooden handles.
- Wooden cutting boards.
- Glued items such as old knives with handles that are glued together around the shank of the blade.
- Hand made craft items, antique or decorative glassware.
- Copper, brass or tin.
- Plastic items that are not heat resistant.

Please note:

- Silver or aluminum items may tarnish.
- Silverware previously cleaned with a silver polish may be damp or spotted at the end of a program where water has adhered to the polish. This can be rubbed off with a soft, dry cloth. Silver that has been cleaned in an immersion dip is usually dry at the end of a program, but may tarnish.
- If let to dry, foods containing sulfur can discolor silver. These include egg yolk, onions, mayonnaise, mustard, legumes, fish, fish brine and marinades.
- Color painted over the glaze of dishes may fade over time.
- Clouding or etching may occur on glasses after frequent washing.

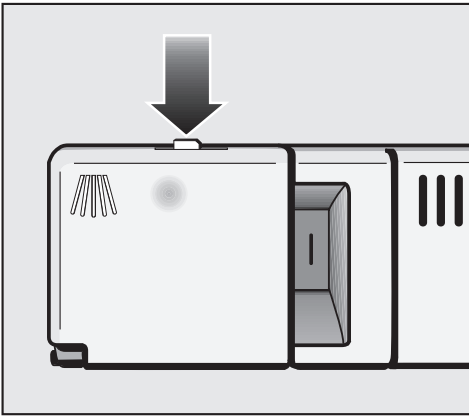
Miele recommends:

- Wash delicate glassware using the “Economy” program or the “China & Crystal” program to reduce the risk of clouding.
- There are no standard guidelines for washing glassware but, when in doubt wash by hand.
- When purchasing new dishes and cutlery, make sure they are dishwasher safe.
- If crystal or delicate glasses will be washed frequently, connect the dishwasher to cold, rather than hot water.

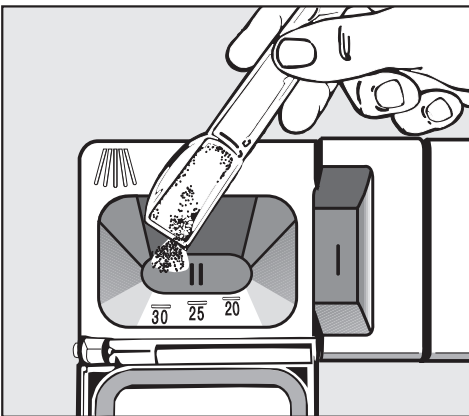
Operating the dishwasher

Adding detergent

Only use powder detergents or tablets formulated for residential dishwashers. Do not use gels or liquid detergents.



- Press the latch on the detergent dispenser. The cover will spring open.



- Fill the dispenser with 1 ½ tablespoons of powder detergent, or place a detergent tablet into compartment II.

- Close the cover. The cover will always be open at the end of a wash program (except “Rinse & Hold”).

Generally, filling the dispenser with 1 ½ tablespoons (25 ml) of detergent is enough for most normally soiled loads. For heavily soiled loads, or if food has dried on the dishes, a program containing a prewash cycle should be selected. Add an extra tablespoon (15 ml) of detergent to compartment I, or place directly on the inner door panel.

Dishwasher detergents contain irritant and corrosive ingredients. They can cause burns in the mouth and throat if swallowed, or inhibit breathing. Keep children away from detergent and from the dishwasher when the door is open.

To prevent children from coming into contact with dishwasher detergent, do not fill the detergent dispenser until you are ready to start the dishwasher.

Capacities:

Compartment I (prewash) holds a maximum of 3/4 ounce (20 ml) and Compartment II (main wash) holds a maximum of 2 3/4 ounces (70 ml) when completely filled. The horizontal marks in Compartment II indicate levels of approximately 3/4, 1, and 1 1/4 ounces (20, 25 and 30 ml) respectively.

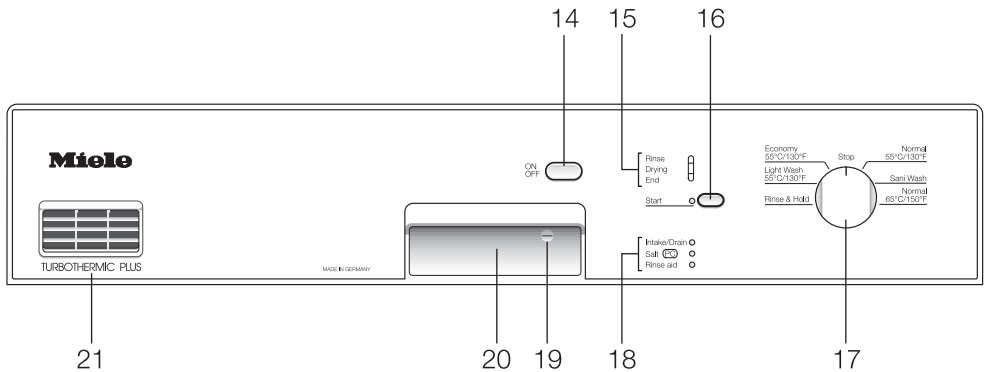
Program selection

The wash program chosen should depend on the type of dishes and the degree of soiling.

In most cases the “Light Wash”, the “Normal” or the “Sani Wash” program will give excellent results.

Available programs and their applications are listed in the Program Chart.

Operating the dishwasher



Turning on the dishwasher

- Check that spray arms are not blocked.
 - Close the door.
 - Open the water valve, if closed.
 - Press the “On/Off” button (14) .
- The “Start” indicator (16) lights.

Starting a program

- When selecting a program, refer to the Program chart of the operating instructions.
- Turn the program selector (17) clockwise or counterclockwise to the selected program.
- Press the “Start” button (16).

The program starts. The “Start” indicator (16) goes out and the “Rinse” (15) indicator lights.

If a program is ended prematurely, important program steps (e.g. reactivating the water softener) may be omitted.

Program sequence indicators (15)

The “Rinse” indicator lights during the Prewash, Main wash, Interim rinse and Final rinse cycles.

The “Drying” indicator lights during the drying cycle.

The “End” indicator lights, when a program has finished.

At the end of a program

When a program has finished the “End” sequence indicator will light.

The dishwasher can now be opened and unloaded (see “Unloading the dishwasher”).

Be careful not to touch the heating elements. They can become extremely hot and can cause serious burns!

Only open the door immediately after a program has ended if dishes or cutlery are urgently needed.

Turn off the dishwasher once a program has finished unless another program will be started immediately.

Turning off the dishwasher

At the end of a program:

- Turn the program selector (17) to “Stop”.

The “End” indicator (15) goes out and the “Start” (16) indicator lights.

- Press the “On/Off” button (14).

The “Start” (16) indicator light goes out.

The dishwasher continues to use electricity until turned off with the “On/Off” button.

The water valve should be closed if the dishwasher will not be used for an extended period, (e.g. while vacationing).

Operating the dishwasher

Interrupting a program

A program can be interrupted by opening the door.

Once the door is closed, the program will continue from the point it was at when the door was opened.

Warning!
The water in the dishwasher could be hot!
Only open the door if absolutely necessary and exercise extreme caution when doing so. There is a danger of being burned.

Changing a program

If a program has already started and you wish to change it proceed as follows:

- Turn the program selector (17) to the “Stop” position.
- Leave the program selector (17) in this position for at least one second.
- Then turn the program selector (17) to the program you wish to use.
- Press the “Start” button (16).

The program starts.

Unloading the dishwasher

- Dishes tend to break and chip more easily when hot. Let dishes cool until they are comfortable enough to handle before unloading.
- Dishes will cool much faster if the dishwasher door is opened a few inches after a program has finished.
- First unload the lower basket, then the upper basket and cutlery tray (if so equipped).
This will prevent water drops from the upper basket and cutlery tray from falling on dishes in the lower basket.

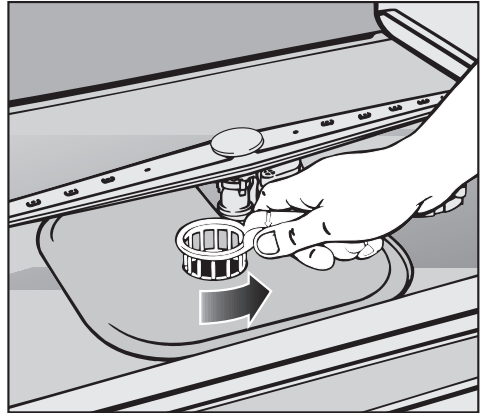
Cleaning and care

Cleaning the filters in the wash cabinet

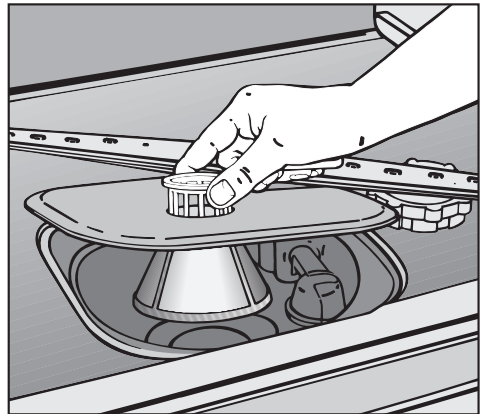
The combination filter in the base of the wash cabinet should be regularly inspected and cleaned, every 4 - 6 months. Any broken glass or dishware should be removed immediately.

Use caution when cleaning the filters, non-return valve or drain pump; glass or bone splinters may be caught in the bottom of the wash cabinet.

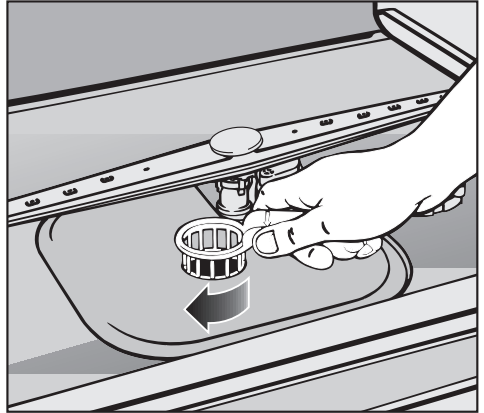
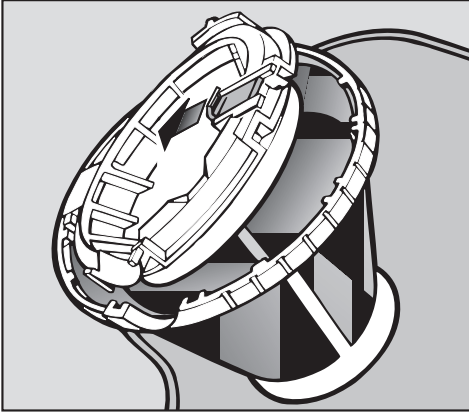
- Turn off the dishwasher.



- Turn the handle counterclockwise to release the filters.



- Lift the combination filter out of the machine. Remove any coarse particles and rinse under running water. A nylon brush can be used.



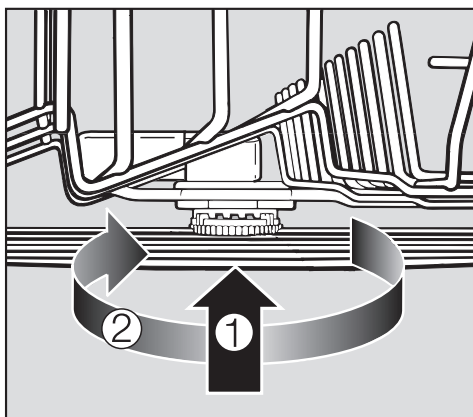
- Turn the combination filter over and open the coarse filter cover by pulling back on the locking tab.
- After cleaning, make sure that the coarse filter cover is properly locked in place.
- Return the combination filter so that it lies flat in the base of the dishwasher. Secure it by turning the handle clockwise.

Cleaning and care

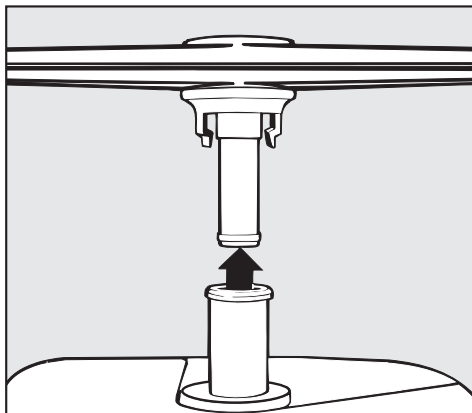
Cleaning the spray arms

On occasion particles of food may get stuck in the spray arm jets. They can be easily cleaned as follows:

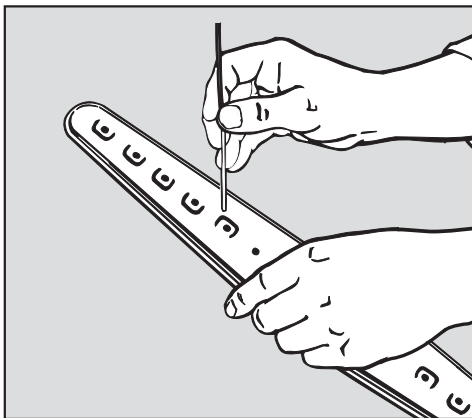
- Turn off the dishwasher.
- Take out the cutlery tray (if equipped).
- Push up on the upper spray arm to engage the ratchet mechanism and unscrew the spray arm.



- To remove the middle spray arm located beneath the upper basket, gently push upwards until it engages in the ratchet ①, and unscrew ②.
- Remove the lower basket.



- Lift up on the lower spray arm to remove it.



- To clean the spray arms, use a pointed object such as a toothpick to push the food particles into the jets.
- Rinse under running water.
- After cleaning, replace the spray arms.

Important:
After replacing the spray arms, check that they rotate freely.

Cleaning the wash cabinet

Generally, the wash cabinet is self cleaning, provided that the correct amount of dishwasher detergent is used.

If lime scale or grease deposits form, they can be removed with a dishwasher cleaner.

Cleaning the door and the door seal

- Wipe the door seal with a damp cloth to remove any food particles.
- Food residue and spilt liquids should be wiped from the sides of the dishwasher door. These are outside of the wash cabinet and are not cleaned by water from the spray arms.

Cleaning the control panel

- Clean the control panel with a damp cloth and mild detergent.

Do not use abrasive, all purpose, or glass cleaners, they may damage plastic surfaces.

Cleaning the door panel

- Plastic laminate panels should be cleaned using a non-abrasive cleaner, or mild soapy water.
- Panels made from wood should be cleaned using a soft damp cloth and an appropriate wood cleaner.

Problem solving

With the aid of the following guide, minor problems can be corrected without a service call.

Any work required on the electrical components of the dishwasher should only be performed by a qualified and trained person in accordance with local and national regulations. Unauthorized repairs could be dangerous.

Problem	Possible cause	Remedy
The “Start” indicator does not light after pressing the “On/Off” button.	The door is not closed tightly.	Close the door completely.
	The machine is not plugged in.	Insert the plug.
	The circuit breaker is defective or has “tripped”.	Reset the circuit breaker.
The “Start” indicator light is on, but the dishwasher is not running.	The program selector is in the “Stop” position.	<ul style="list-style-type: none">– Turn the program selector to the desired program.– Press the “Start” button.
The dishwasher stops during a program.	The circuit breaker has tripped.	Reset the circuit breaker.

Problem	Possible cause	Remedy
The “Intake/Drain” indicator light flashes, and the program stops.		Before searching for the problem: <ul style="list-style-type: none">– Turn the program selector to “Stop”.– Turn the dishwasher off using the “On/Off” button.
	Not enough water is entering the machine.	<ul style="list-style-type: none">– Open the water valve completely.– Check the intake filter and clean if necessary, see “Cleaning and care”.– Check the water level and increase the intake time if necessary, see “Checking the water level”.
	Water remains in the wash cabinet at the end of a program.	<ul style="list-style-type: none">– Clean the filter combination, see “Cleaning and care”.– Clean the drain pump and the non-return valve, see “Solving problems”.– Remove any kinks in the drain hose.

Problem solving

Problem	Possible cause	Remedy
<p>The “End” and “Start” indicators flash simultaneously.</p>	<p>A service call may be needed.</p>	<ul style="list-style-type: none"> – Turn the program selector to “Stop”. – Turn off the dishwasher using the “On/Off” button. <p>After a few seconds:</p> <ul style="list-style-type: none"> – Turn on the dishwasher with the “On/Off” button. – Turn the program selector to desired program. – Press the “Start” button. <p>If the indicator lights flash again:</p> <ul style="list-style-type: none"> – Call the Miele Technical Service Dept. <p>Despite the problem the dishwasher can still be used in all programs but, the water will not heat.</p>
<p>Knocking noise in the wash cabinet</p>	<p>The spray arm is hitting something in the basket.</p>	<p>Interrupt the program and rearrange items blocking the spray arms.</p>
<p>Rattling from within the dishwasher</p>	<p>The dishes are moving around inside the dishwasher.</p>	<p>Interrupt the program and secure items inside.</p>
<p>A whistling noise is heard during the program.</p>	<p>The circulation pump seal sometimes makes a whistling noise. This may be caused by detergent.</p>	<p>This is not a problem. Try other detergents. Contact the Miele Technical Service Department if the noise persistent.</p>

Problem	Possible cause	Remedy
There is a knocking noise in the pipes.	This may be from the installation or the cross section of piping.	This has no affect on the dishwasher. If in doubt contact a plumber.
Dishes and cutlery are not dry or are flecked.	The rinse aid setting may not be high enough or the rinse aid reservoir is empty.	Increase the dosage or refill the reservoir, see "Before using for the first time".
	The water hardness level selector in the wash cabinet is set too high.	Set the selector to a lower setting, see "Programming and setting the water hardness level."
	Dishes were unloaded too soon.	Leave dishes in for longer, see "Operating the dishwasher".
Dishes are not cleaned	The dishes were not loaded correctly. Dishes were placed inside other pieces, water could not reach all surfaces.	See "Loading the dishwasher".
	The outlet of the water feed tube for the middle spray arm was covered. Not enough water flowed in to the middle arm.	Make sure that dishes loaded in the rear of the upper basket do not cover pipe outlet.
	The program was not powerful enough.	Select a more intensive program, see "Program Chart".
	Not enough detergent was dispensed.	Use more detergent, see "Operating the dishwasher".
	The spray arms are blocked.	Rearrange items so that spray arms can rotate freely.

Problem solving

Problem	Possible cause	Remedy
Dishes are not clean	The spray arm jets are blocked.	Clean the spray arms, see "Cleaning and care".
	The filter combination in the base of the wash cabinet is not clean or is not seated correctly. This may cause the spray arms to be blocked.	Clean and/or reseal the filter combination correctly. Clean the spray arms, see "Cleaning and care".
	The drain pump and non-return valve may be blocked.	Clean the drain pump and the non-return valve, see "Cleaning and care".
	Not enough water comes into wash cabinet.	Check the water level and the water intake time.
Tea or lipstick stains were not completely removed	The wash temperature of the selected program was too low.	Select a program with a higher temperature.
	The bleaching effect of the detergent used was too low.	Use detergent containing chlorine.
White residue is visible on cutlery and dishes, clouding occurs on glassware, film can be wiped off.	Not enough rinse aid was used.	Increase the rinse aid setting, see "Before using for the first time".
	The salt reservoir is empty.	Add reactivation salt, see "Before using for the first time".
	The salt cap was not screwed on correctly.	Reseat the salt cap and make sure it is screwed back on correctly.

Problem	Possible cause	Remedy
White residue appears on dishes and cutlery, glasses are cloudy, film can be wiped off.	The water softener setting is too low.	Adjust the water hardness selector to a higher setting, see “Before using for the first time”.
	Phosphate free detergent was used.	Use a detergent with phosphate.
Smearing appears on glasses and cutlery, there is a bluish sheen on the surface of the glassware, film can be wiped off.	The rinse aid setting is too high.	Reduce the dosage, see “Before using for the first time”.
Glassware is dull and discolored, film can not be wiped off	The water hardness selector in the wash cabinet is not set correctly.	Set it to the correct setting, see “Before using for the first time”. There is no remedy for already damaged glassware.
	Glassware is not dishwasher safe. The surfaces are damaged.	There is no remedy. Purchase dishwasher safe glassware.
Plastics are discolored	Natural dyes e.g. from carrots, tomatoes or ketchup may stain plastics. The amount of detergent used or its bleaching effect was not strong enough to deal with the natural dyes.	Use detergent containing chlorine. Use more detergent, see “Operating the dishwasher”. Discoloration is permanent.

Problem solving

Problem	Possible cause	Remedy
There are rust stains on cutlery.	The salt reservoir cap was not screwed on properly.	Screw the cap on firmly.
	The affected pieces are not corrosion resistant.	There is no remedy. Only purchase dishwasher safe cutlery.
The detergent dispenser lid does not close properly	Clogged detergent residue is blocking the catch.	Remove the residue.
Detergent residue is left in the dispenser at the end of a program	The dispenser was still damp when detergent was added.	Check that the dispenser is dry before adding detergent.
Water remains in the wash cabinet at the end of a program		Before fixing the problem: <ul style="list-style-type: none"> – Turn the program selector to the “Stop” position. – Turn off the dishwasher with the “On/Off” button.
	The filter combination in the wash cabinet is clogged.	Clean the filter combination, see “Cleaning and care”.
	The drain pump and the non-return valve may be blocked.	Clean the drain pump and non-return valve, see “Solving problems”
	The drain hose is kinked.	Remove the kink.

Cleaning the water intake filter

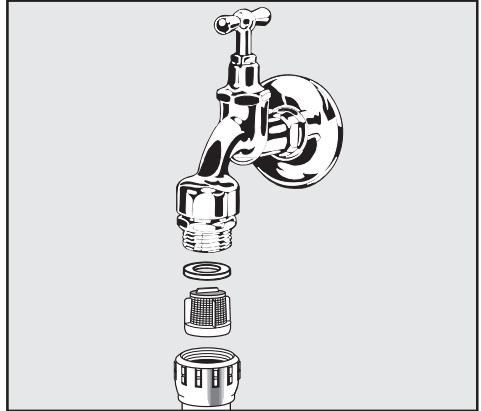
A filter is incorporated in the intake hose attached to the dishwasher's shut-off valve. If your water is hard, or the pipes contain sediment; this filter may clog and prevent enough water from entering the wash cabinet. It can be cleaned as follows:

The plastic valve housing on the intake hose contains electrical components and should not be immersed, or run through water.

Cleaning the filter:

Disconnect the dishwasher from electricity (unplug it or "trip" the circuit breaker).

- Turn off the main shutoff valve and unscrew the intake hose.
- Carefully remove the rubber seal.
- Remove the filter using needle nose pliers and rinse under running water.



- Return the filter and seal. Make sure they are seated correctly.
- Screw the intake hose back on the water valve, checking that it is not cross-threaded.
- Slowly turn on the valve and test for leaks.

Installing an in-line water filter.

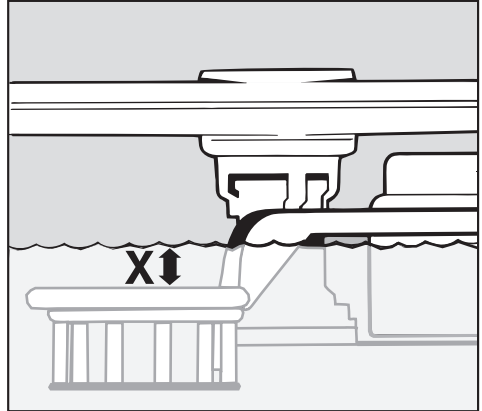
- If your water contains a large number of insoluble substances, a filter between the valve and the intake hose connection is recommended. These filters can be purchased from the Miele Technical Service Department.

Solving problems

Checking the water level

If the water pressure is less than 15 psi, not enough water will flow into the wash cabinet.

- To check the water level, open the water valve completely and run the “Rinse & Hold” program once (without dishes), to bring water into the system.
- Run, the “Rinse & Hold” program again. After approximately 3 minutes, open the door and remove the lower basket from the machine.



The water level is correct when dimensions “**X**” is at least 1/8” (4 mm).

If it measures less, the water intake time must be increased (see the following page).

Increasing the water intake time

To increase the water intake time, proceed as follows:

- Turn off the dishwasher using the “On/Off” button.
- Turn the program selector to “Stop”
- Press the “Start” button while simultaneously turning on the machine with the “On/Off” button. Release the “Start” button within 2 seconds.

The “Salt-PC” indicator should be flashing.

Note:

If other indicator lights are flashing, repeat the process.

Except:

If the rinse aid indicator lights the rinse aid was never added or needs to be re-filled. See “Adding rinse aid”.

- Turn the program selector to “Economy 55°C/130°F”.
- If the “Start” indicator does not light, the water intake time is set to normal.
- If the “Start” indicator lights the extended water intake time is set.
- To change the setting, press the “Start” button.

The “Start” indicator will light or go out each time the button is pressed.

- Turn the program selector to “Stop”.
- Turn off the dishwasher with the “On/Off” button.

The modified intake time is now stored.

Solving problems

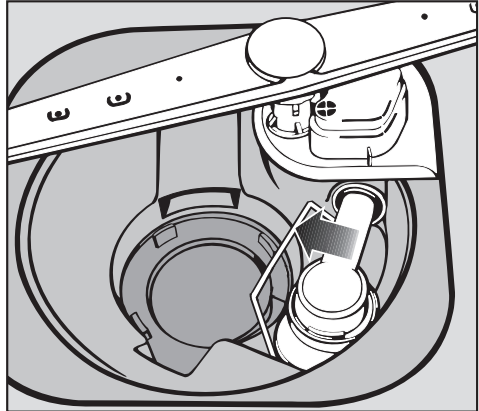
Cleaning the drain pump and non-return valve

Use caution when cleaning the filters, non-return valve or drain pump; glass or bone splinters may be caught in the bottom of the wash cabinet.

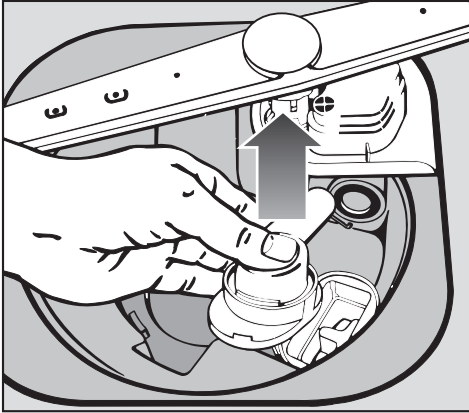
If the dishwasher is not completely drained at the end of a program, the drain pump or non-return valve may be blocked.

To clean them:

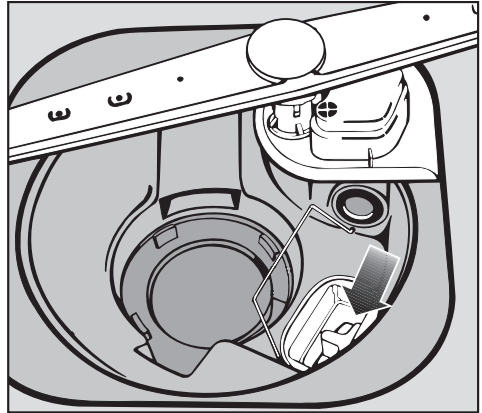
- Remove the combination filter.
- Use a jug or bowl to scoop water out of the wash cabinet.



- Tilt the locking clamp to the side.



- Pull out the non-return valve.
- Rinse the non-return valve under running water.



The drain pump is situated under the non-return valve (see arrow).

- Before returning the non-return valve, check to make sure that the drain pump is not obstructed. Spin the propeller several times in both directions; it should turn smoothly.
- Carefully refit the non-return valve and secure it with the locking clamp.
- Refit and secure the combination filter.

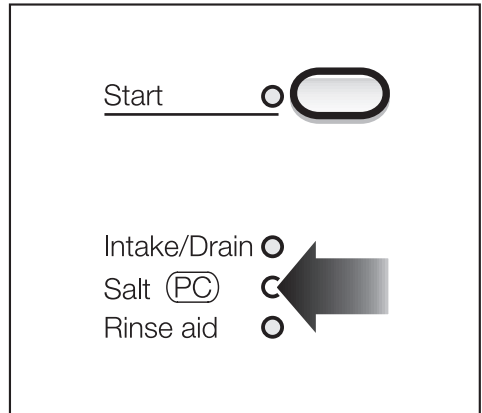
After sales service

If you are unable to resolve a problem or if the appliance is under warranty, please contact your Miele Dealer or the Miele Technical Service Department. (See back cover for telephone numbers).

Please have the model and serial number of the appliance available. These can be found on the data plate on the upper inside edge of the dishwasher door.

Program update function - PC

The "PC" indicator has the function of Program Correction (PC). This allows a technician to update the programming of the dishwasher to make use of new technological developments.



For example, if a detergent that gives good wash results using only cold water were to become available, the wash programs can be modified to take advantage of this.

To make the most of your dishwasher

If you would like...	then you need...
...to wash bottles, e. g. milk or baby bottles	... a bottle holder
... to wash long stemmed glassware	... a glassware insert for the upper basket

Transport

To transport the dishwasher, e.g. when moving to a new home, note the following:

- Empty the dishwasher,
- Secure any loose parts, e. g. hoses, cables, cutlery baskets.
- Transport the dishwasher in the upright position.

If unavoidable it may be transported on its back.

Do not transport it on its side or on the door because residual water in the machine will leak. This residual water could get into the electronic unit and cause damage.

Series designation HG01

Height	33 1/16" (84 cm) [adj. + 2"/5.0 cm]
Width	23 9/16" (59.8 cm)
Width of cabinet opening	23 5/8" (60 cm)
Depth	22 7/16" (57 cm)
Depth with door open	47 7/16" (120.5 cm)
Weight	approx. 119 lbs/55 kg
Voltage	110/120 V AC
Rated load	12.5 A / 1500 W
Fuse rating	15 A
Water pressure	15 – 150 psi (1.0 - 10 bar)
Water connection	max. 140 °F (60 °C)
Drain height	max. 39" (1 m)
Drainage length	max. 13 ft (4 m)
Connection cable	approx. 4 ft (1.2 m)
Capacity	14 place settings

Program chart

Program	When to use	Detergent		
		chlorine free ¹⁾	containing chlorine ²⁾	
			Compartment II (Wash cycle)	Compartment I (Pre-wash)
Normal ³⁾ 55 °C/130 °F	for normal everyday loads	100 %	20 %	80 %
Sani Wash	as Normal 55 °C/130 °F, but with longer wash time for heavily soiled loads, also suitable for chlorine free detergents	100 %	20 %	80 %
Normal 65 °C/150 °F	as Normal 55 °C/130 °F, but at a higher temperature for stubborn dried on food	100%	20 %	80 %
Light Wash 55 °C/130 °F	for normal everyday loads, particularly suitable for chlorine free detergents	100 %		100 %
Economy 55 °C/130 °F	for normal everyday loads, particularly energy saving program	100 %		100 %
Rinse & Hold	For rinsing dishes when a complete cycle is not needed.			

The dispensing method will depend on the type of detergent being used.

1) Use this ratio for:

- detergent which is chlorine and phosphate free
- detergent which is chlorine free but contains phosphates

In this instance the whole amount is placed in compartment II.

2) Use this ratio for:

- powder detergent which contains chlorine and phosphates

Divide the total amount, as shown, between compartment I and compartment II.

When washing a full load in the Normal program, the Sani Wash program, the Light Wash program or the Economy program at least 1 ½ tablespoons (25 ml) of detergent are needed.

Program chart

Program Cycle						Usage			Duration	
						Electric (kWh)		Water	Minutes (approx.)	
1. Pre-liminary pre-wash	2. Pre-wash	Main wash	Interim rinse	Final rinse	Drying	Cold water connection (10 °C/ 50 °F)	Hot water connection (49 °C/ 120 °F)	Liters/ Gallons	Cold water connection (10 °C/ 50 °F)	Hot water connection (49 °C/ 120 °F)
X	X	X 55 °C/ 130 °F	X	X 65 °C/ 150 °F	X	1.62	0.8	24 / 6.3	150	114
	X	X 65 °C/ 150 °F	X	X 75 °C/ 170 °F	X	2.40	1.5	19 / 5	185	145
X	X	X 65 °C/ 150 °F	X	X 65 °C/ 150 °F	X	1.82	1.1	24 / 6.3	156	110
		X 55 °C/ 130 °F	X	X 65 °C/ 150 °F	X	1.62	1.1	14 / 3.7	131	110
		X 55 °C/ 130 °F	X	X 55 °C/ 130 °F	X	1.30	0.75	14 / 3.7	120	90
	X					0.06	0.06	5 / 1.3	11	11

3) Standard program for comparison tests



Miele, Inc.

National Headquarters

9 Independence Way,
Princeton, NJ 08540
Phone: 800-843-7231
609-419-9898
Fax: 609-419-1435
Technical Service: 800-999-1360
www.mieleusa.com

Southeast Regional Headquarters

6400 Congress Avenue
Suite 1700
Boca Raton, FL 33487
Phone: 561-995-8030
Fax: 561-995-8083

West Coast Regional Headquarters

680 Eighth Street
Suite 168 - Sobel Building
San Francisco, CA 94103
Phone: 800-245-8215
415-241-6820
Fax: 415-241-6822

WEST COAST REGIONAL SERVICE 800-245-8215

Southern California Showroom

189 North Robertson Blvd.
Beverly Hills, CA 90211
Phone: 310-855-9470
Fax: 310-358-0238

Mid West Regional Headquarters

3100 West Dundee Road
Suite 901
Northbrook, IL 60062
Phone: 847-714-9433
Fax: 847-714-9434

Miele Limited

Canadian Head Office

55G East Beaver Creek Road
Richmond Hill
Ontario L4B 1E5
Phone: 905-707-1171
Toll-Free: 1-800-565-6435
Fax: 905-707-0177

Internet: www.miele.ca

E-Mail: info@miele.ca
(general enquiries)

E-Mail: service@miele.ca
(technical service)

BC Regional Sales Office

3731 North Fraser Way
Unit 200
Burnaby
British Columbia V5J 5J2
Phone: 604-434-1300
Fax: 604-434-1309

Quebec Regional Sales Office

400 Laurier Avenue West
Suite 600
Montreal
Quebec H2V 2K7
Phone: 514-277-1818
Toll-Free: 1-877-636-4353
Fax: 514-277-1838